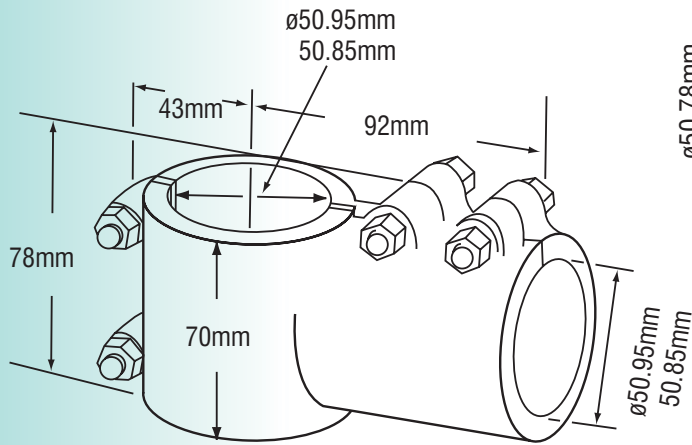
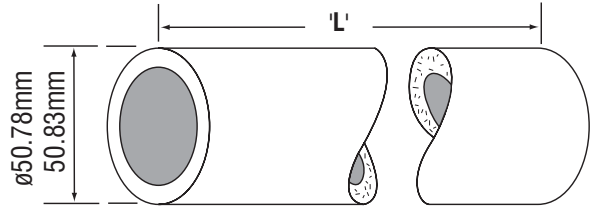


## Mounting Brackets – Rapid Assembly



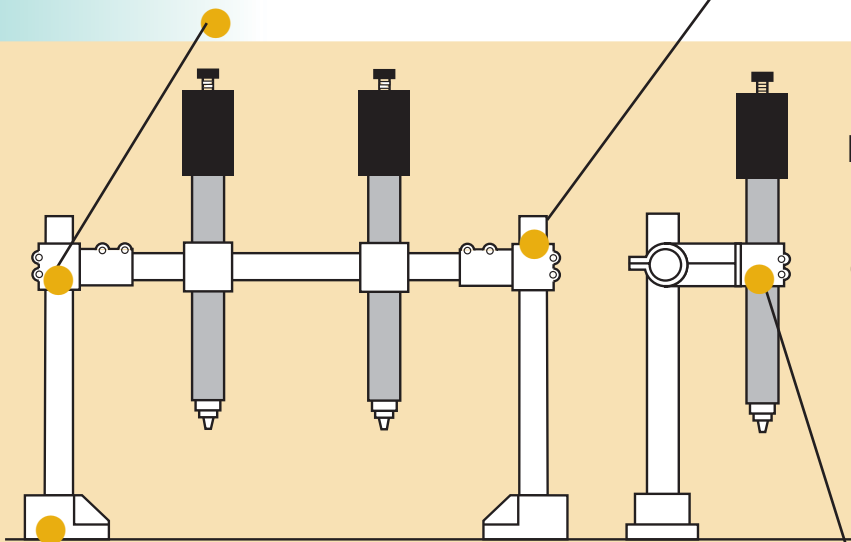
**Female Clamp**  
**PT7432/143**



**Support Column Dimensions**

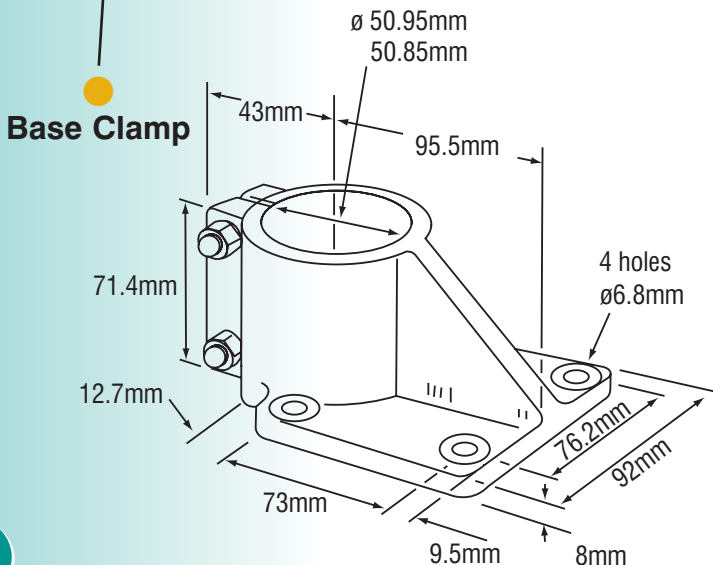
Part Number	Length 'L' Meters
PT7432/40	0.45
PT7432/40A	0.60
PT7432/40B	0.76
PT7432/40C	0.91
PT7432/40D	1.82
PT7432/40E	1.22
PT7432/40F	1.52
PT7432/40G	3.05

**Support Column**



### Rapid Assembly Fixture Construction Components

The range of mounting clamps and column provides an easy and rapid method of producing fixtures for mounting self feed units in vertical, horizontal or angled planes. Dimensional details of these components are illustrated.



**Base Clamp**

**Male/Female Clamp**  
**PT7432/142**

